



FEATURES

- OIML C3 approved (OIML R60)
- Built in lightning protection device
- Protection class IP68

OPTIONS

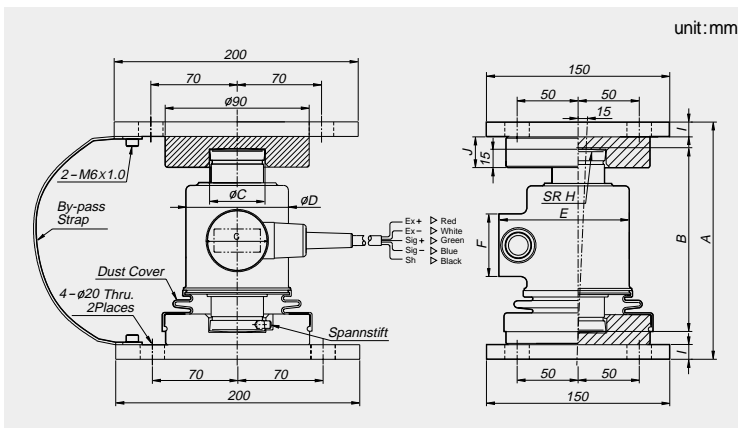
- C3 approved class
- Ex ia IIC T6 approved
-



SPECIFICATIONS

Max. capacity	tf	10, 25, 50	
Rated output	mV/V	2.0 ± 0.005	
Zero balance	mV/V	0 ± 0.02	
Accuracy class		D3	C3
Combined error	%	0.03	0.02
Repeatability	%	0.02	0.01
Creep for 30 min.	%	0.03	0.017
Temperature effect on			
Zero Value	%/10°C	0.03	0.014
Output value	%/10°C	0.03	0.011
Excitation			
Recommended	V	10	
Maximum	V	15	
Resistance			
Input	Ω	350 ± 3.5	
Output	Ω	350 ± 3.5	
Insulation	MΩ	> 2,000	
Compensated temperature range	°C	-10 to +40	
Operating temperature range	°C	-40 to +70	

DIMENSIONS



Material

Stainless Steel

Cable

Braided shield 4-wire round cable with Urethane-jacket

Length: 10m

Model	Capacity	A	B	C	D	E	F	G	H	I	J
WBK-10	10tf	194	150	45.4	84	107	51	51	250	12	25
WBK-25	25tf										
WBK-50	50tf	254	190	45.4	100	135	37	65	300	16	31



FEATURES

- OIML C3 approved (OIML R60)
- Economic rocker pin design
- Built in lightning protection device
- Protection class IP68

OPTIONS

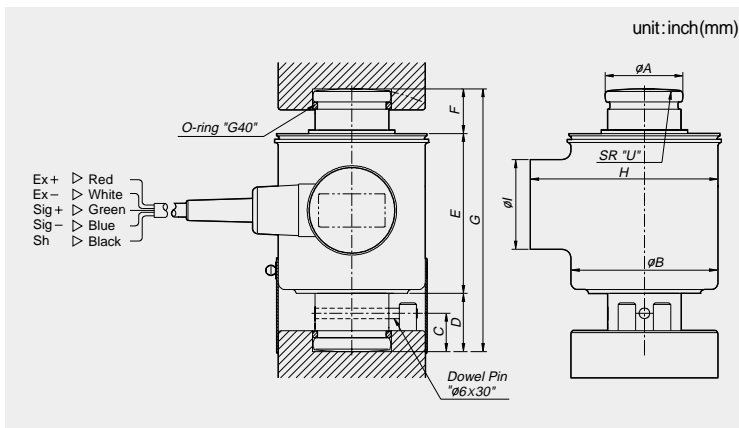
- C3 approved class



SPECIFICATIONS

Max. capacity	tf	10, 20, 25, 30, 50	
Rated output	mV/V	2.0 ± 0.005	
Zero balance	mV/V	0 ± 0.02	
Accuracy class		D3	C3
Combined error	%	0.03	0.02
Repeatability	%	0.02	0.01
Creep for 30 min.	%	0.03	0.017
Temperature effect on			
Zero Value	%/10°C	0.03	0.014
Output value	%/10°C	0.03	0.011
Excitation			
Recommended	V	10	
Maximum	V	15	
Resistance			
Input	Ω	350 ± 3.5	
Output	Ω	350 ± 3.5	
Insulation	MΩ	> 2,000	
Compensated temperature range	°C	-10 to +40	
Operating temperature range	°C	-40 to +70	

DIMENSIONS



Material

Stainless Steel

Cable

Braided shield 4-wire round cable with Urethane-jacket
Length: 10m

Model	Capacity	øA	øB	C	D	E	F	G	H	I	U
WBS-10	10tf	44	84	22	35	91	24	150	107	51	190
WBS-20	20tf										
WBS-25	25tf										
WBS-30	30tf										
WBS-50	50tf	44	84	22	55	91	44	190	107	51	250